

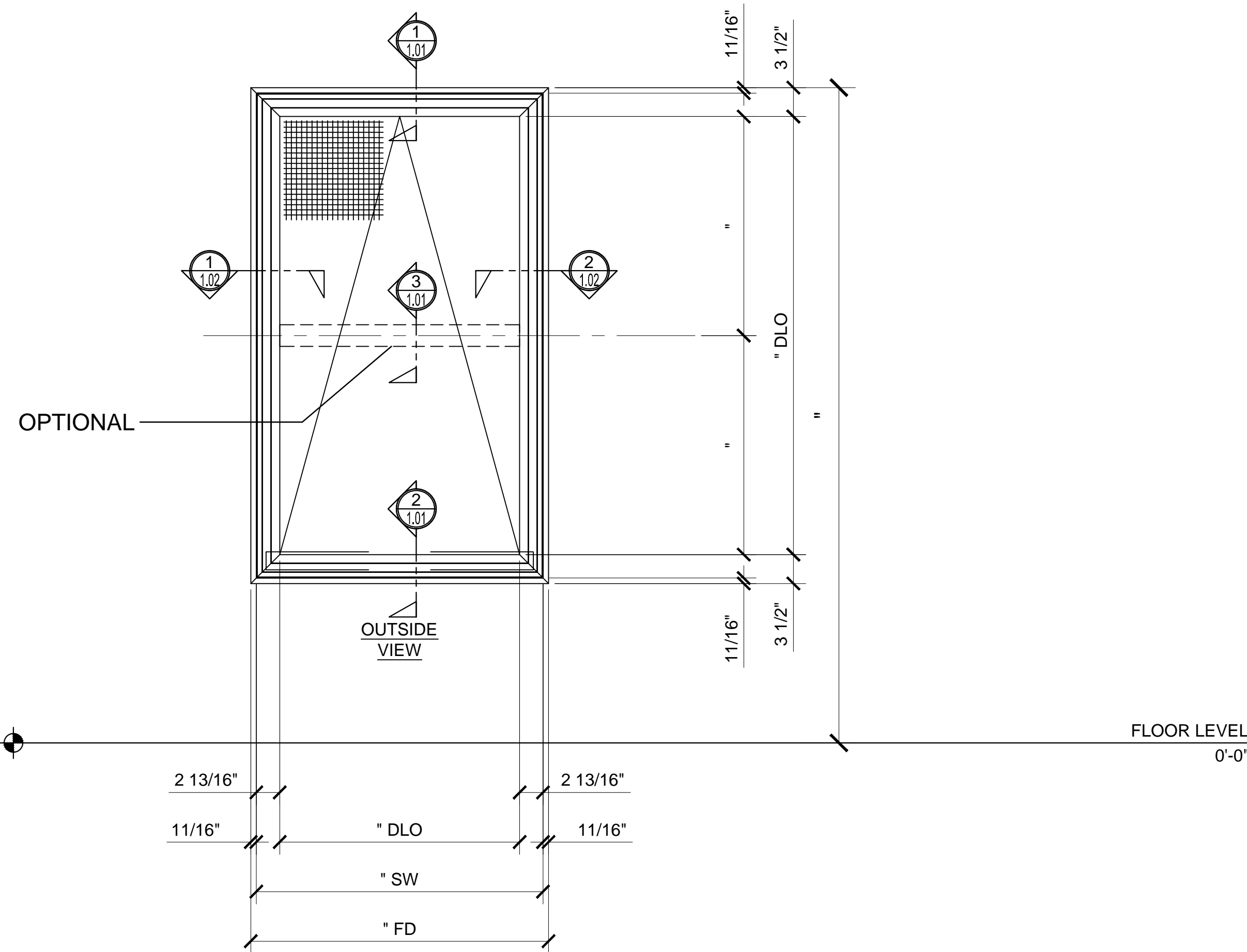
VISTA SECURITY SCREEN PROTECTIVE SECURITY WINDOWS

CUSTOM WINDOW (HEIGHT) GUIDELINES:  
 FIRE ESCAPE = 29.07" RECOMMENDED MIN HEIGHT  
 FIRE ESCAPE = 127.49" RECOMMENDED MAX HEIGHT

CUSTOM WINDOW (WIDTH) GUIDELINES:  
 FIRE ESCAPE = 13.36" RECOMMENDED MIN WIDTH  
 FIRE ESCAPE = 71.02" RECOMMENDED MAX WIDTH

OPTIONS:  
 MID-RAIL OPTIONS - VERTICAL AND HORIZONTAL:  
 (DETAIL 3/1.01)

- COLOR OPTIONS:
- WHITE
  - BLACK
  - BROWN
  - SAHARA BROWN
  - LIGHT GRAY
  - SILVER
  - ALMOND
  - BRONZE
  - SAHARA GRAY
  - CUSTOM



FIRE ESCAPE TOP HUNG WINDOW

**STRUCTURAL DISCLAIMER:**

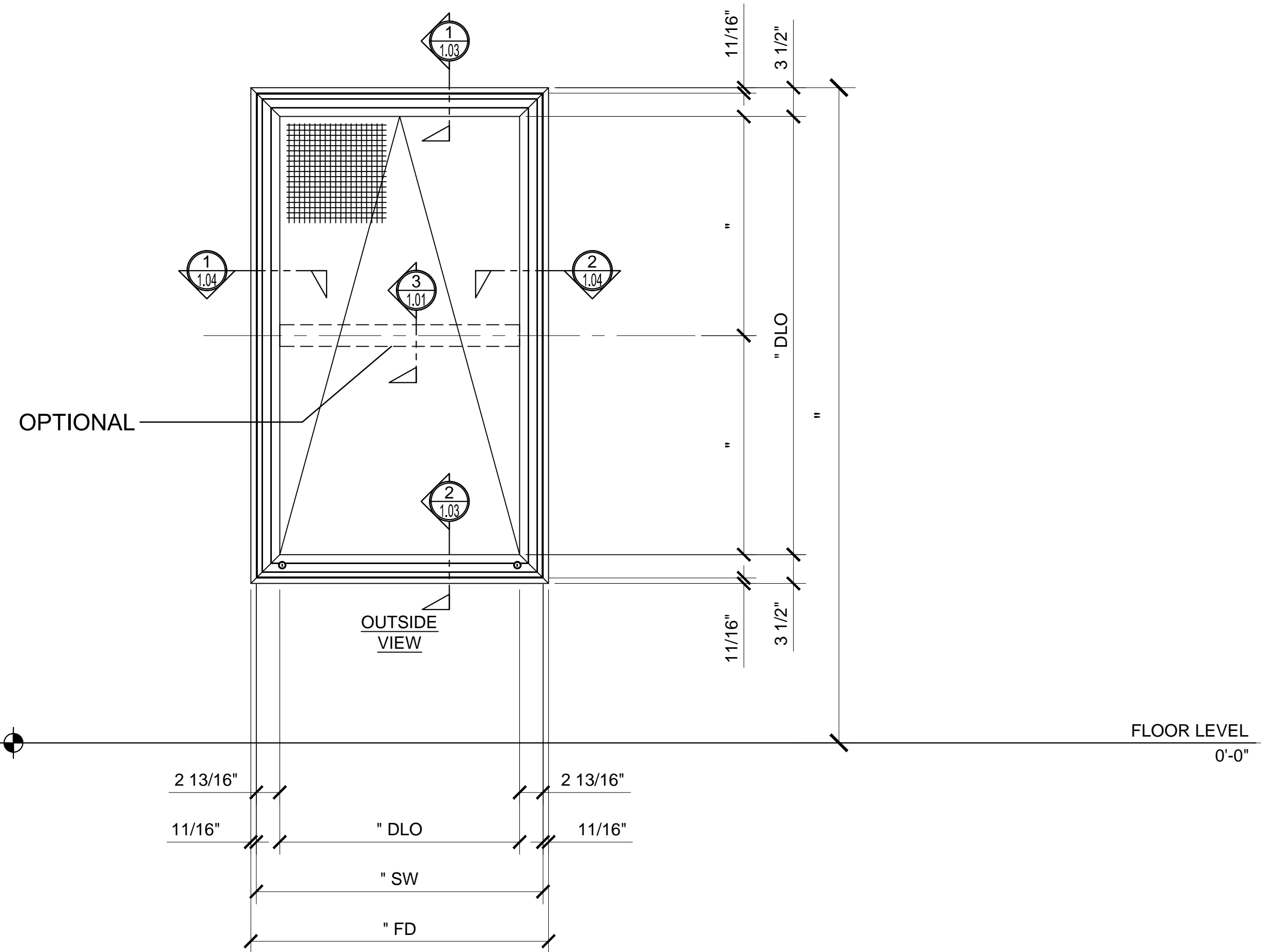
ALL CUSTOMERS WHO IN ANY WAY UTILIZE THIS PRODUCT ARE SOLELY RESPONSIBLE TO CONSULT A STRUCTURAL ENGINEER TO DETERMINE THE SUITABILITY OF THE PRODUCT FOR THE INTENDED USE AND SITE CONDITIONS. ALL INSTALLERS MUST BE QUALIFIED AND HAVE PROFESSIONAL KNOWLEDGE ABOUT COMPLIANCE WITH LOCAL, STATE AND FEDERAL REGULATIONS, SAFETY FACTORS, AND THE APPROPRIATE CHOICE OF FIXING MATERIAL AND PROCEDURES.

VISTA SECURITY SCREEN PROTECTIVE SECURITY  
 WINDOWS

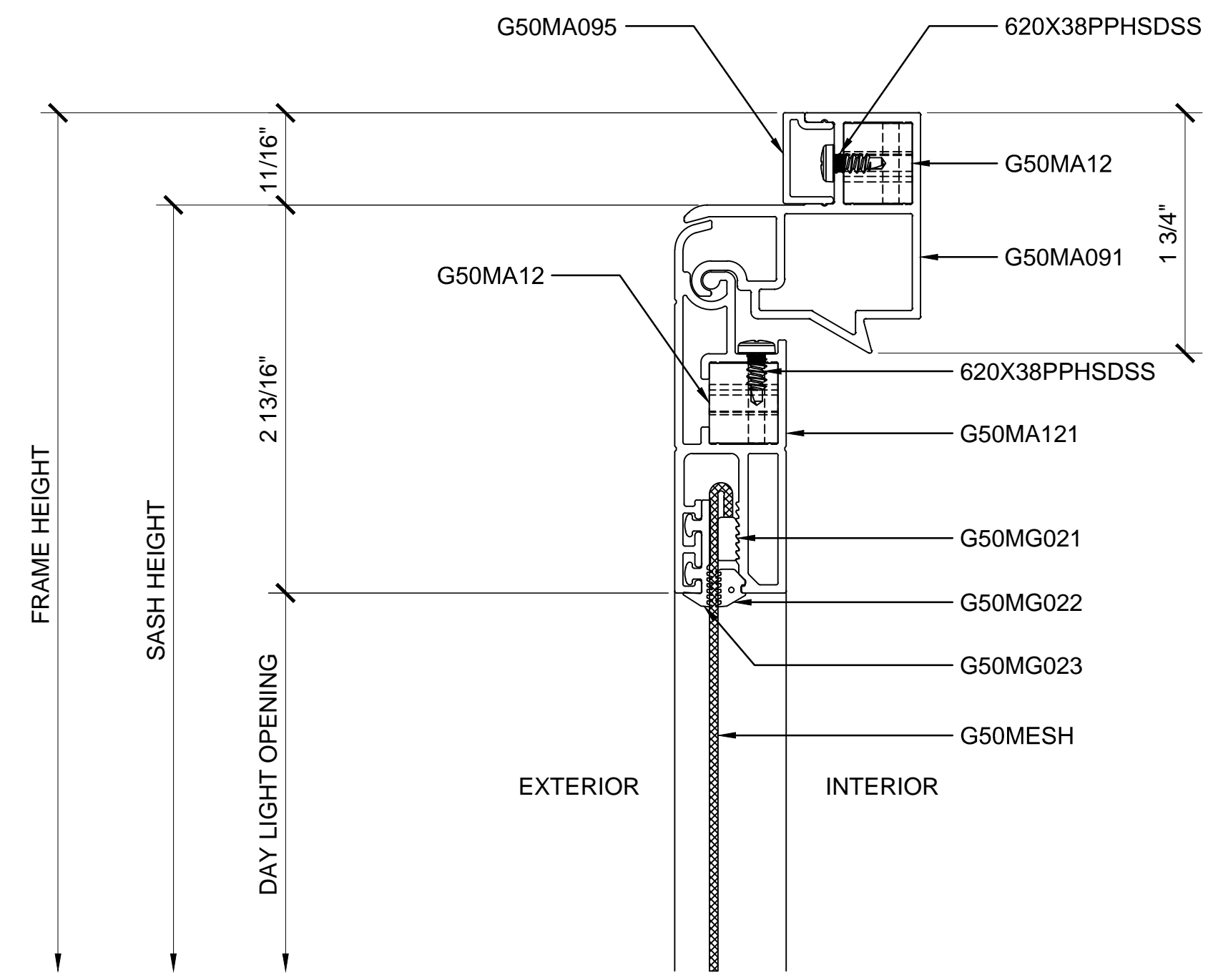
CUSTOM WINDOW (HEIGHT) GUIDELINES:  
 FIRE ESCAPE = 29.07" RECOMMENDED MIN HEIGHT  
 FIRE ESCAPE = 127.49" RECOMMENDED MAX HEIGHT

CUSTOM WINDOW (WIDTH) GUIDELINES:  
 FIRE ESCAPE = 13.36" RECOMMENDED MIN WIDTH  
 FIRE ESCAPE = 71.02" RECOMMENDED MAX WIDTH

- OPTIONS:  
 MID-RAIL OPTIONS - VERTICAL AND HORIZONTAL:  
 (DETAIL 3/1.01)
- COLOR OPTIONS:  
 - WHITE  
 - BLACK  
 - BROWN  
 - SAHARA BROWN  
 - LIGHT GRAY  
 - SILVER  
 - ALMOND  
 - BRONZE  
 - SAHARA GRAY  
 - CUSTOM

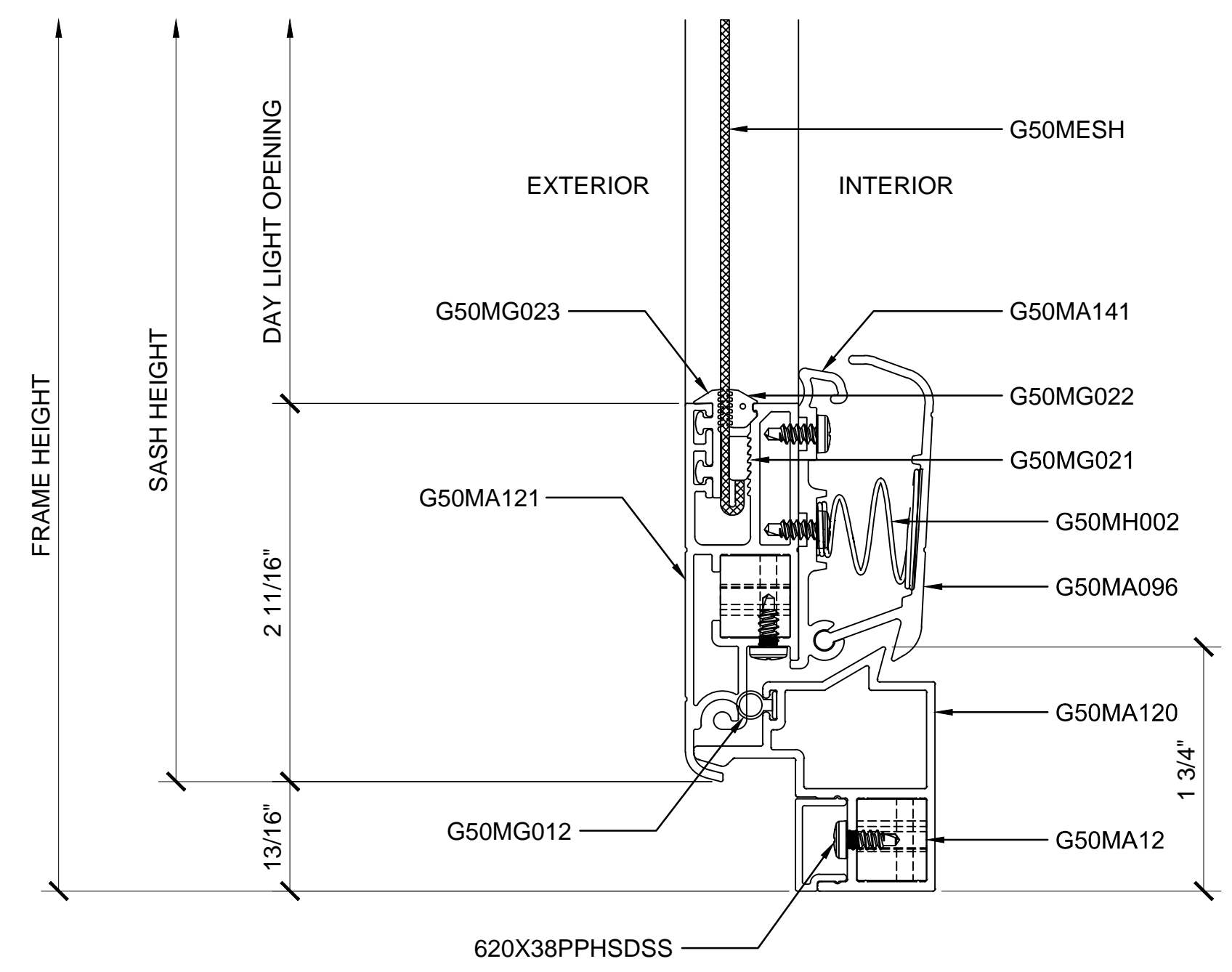


FIRE ESCAPE KEY LOCK TOP HUNG WINDOW



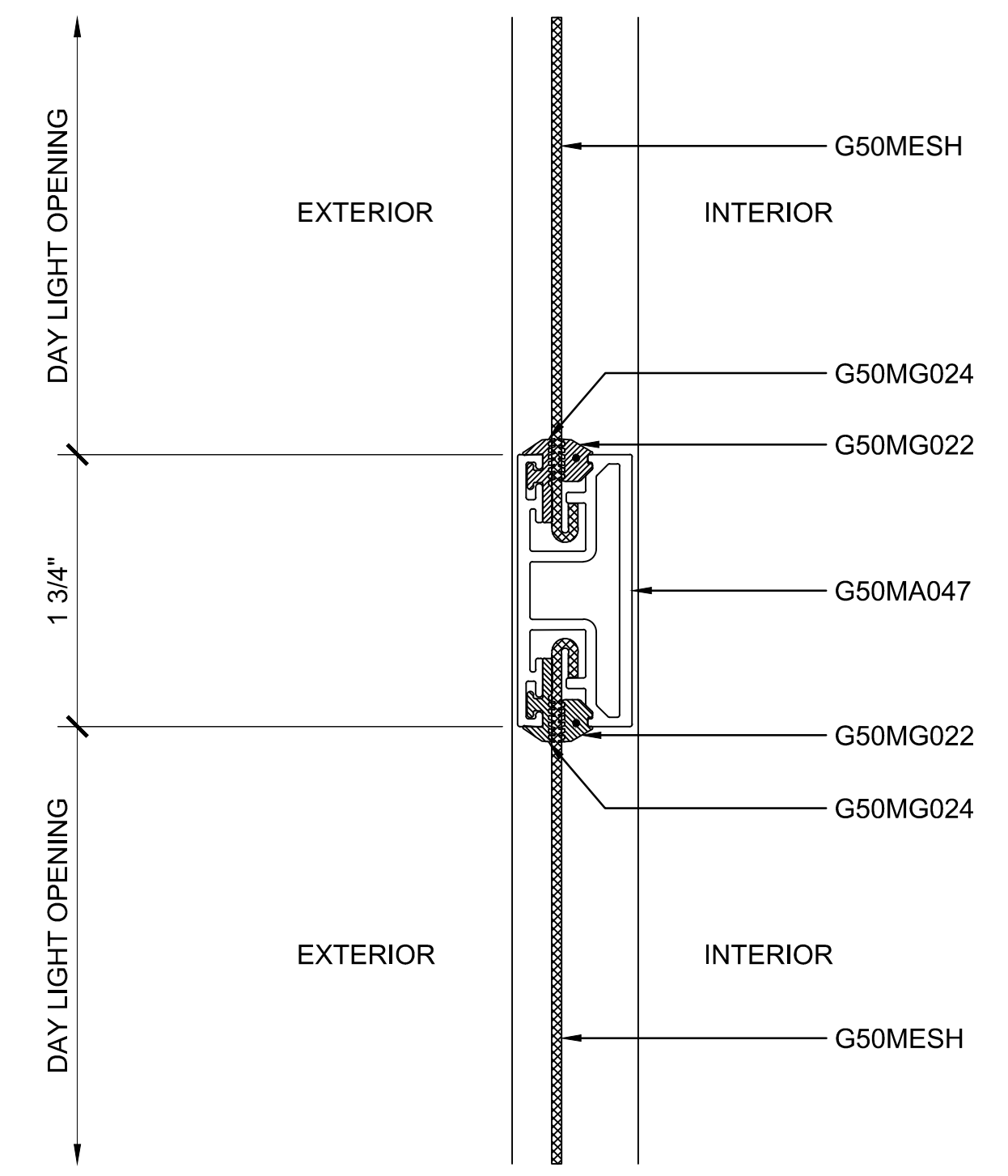
① SECTION DETAIL AT HEAD

ARCH REF: N/A 1'-0"=1'-0"



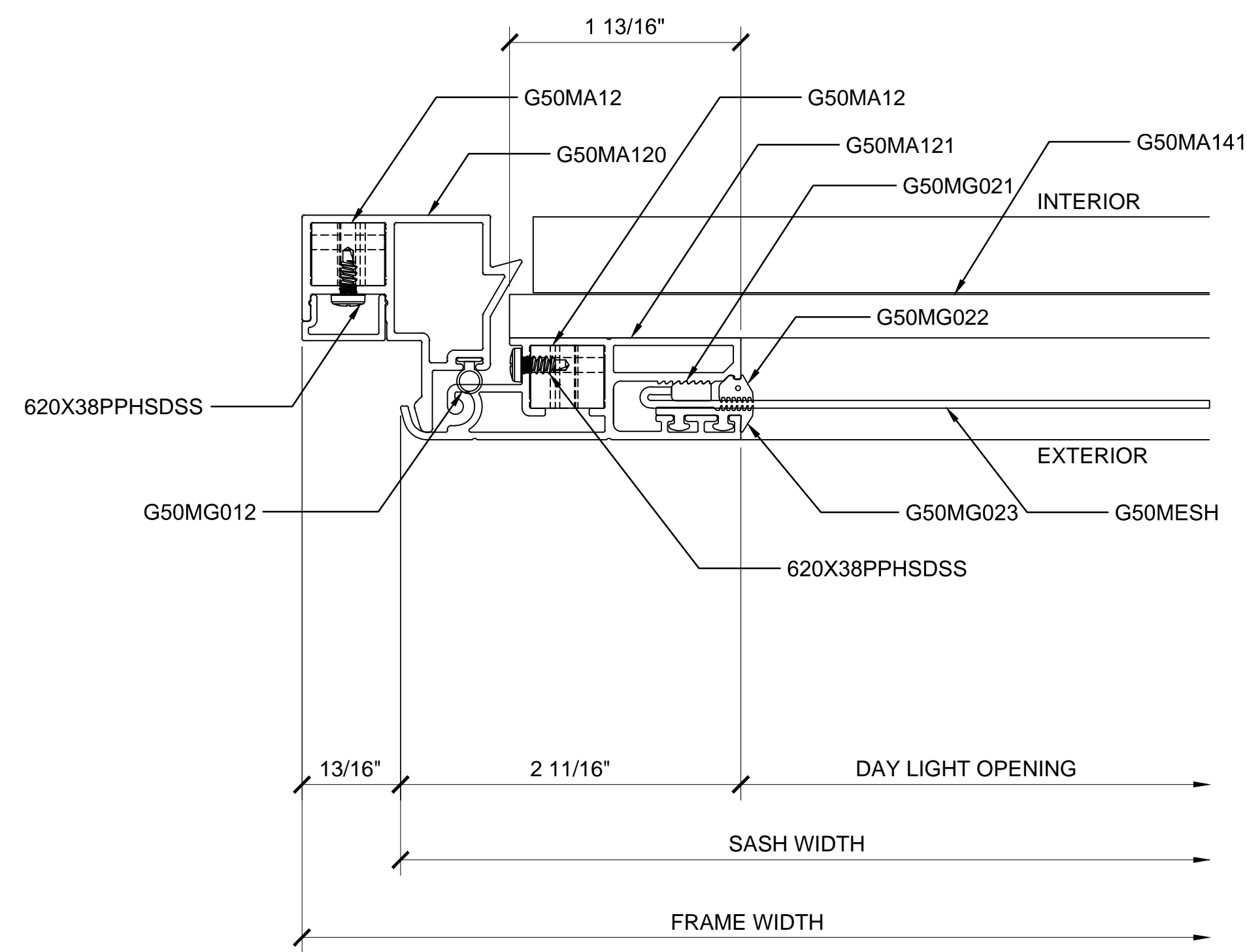
② SECTION DETAIL AT SILL

ARCH REF: N/A 1'-0"=1'-0"



③ SECTION DETAIL AT MIDRAIL - OPTIONAL

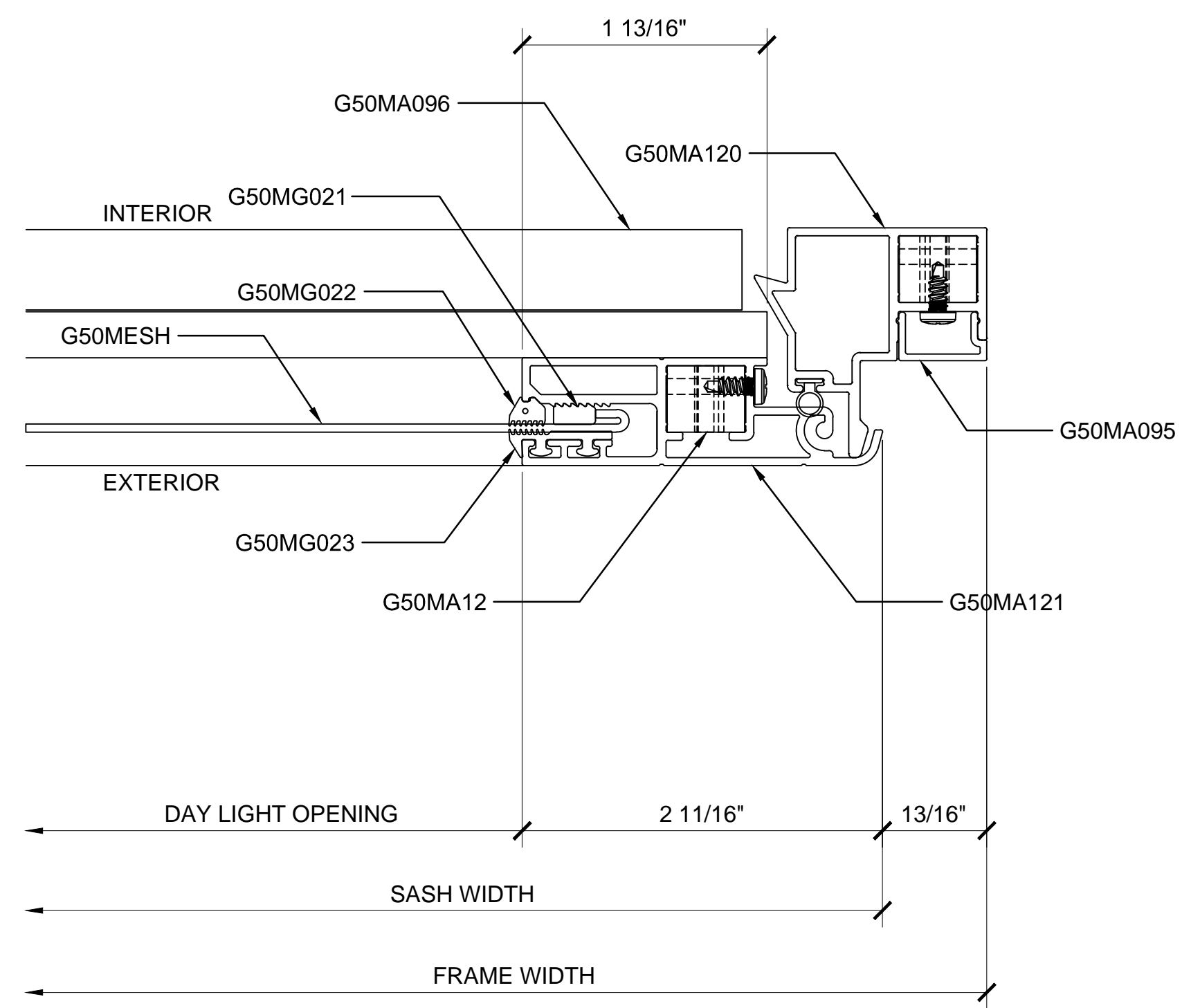
ARCH REF: N/A 1'-0"=1'-0"



① SECTION DETAIL AT JAMB

ARCH REF: N/A

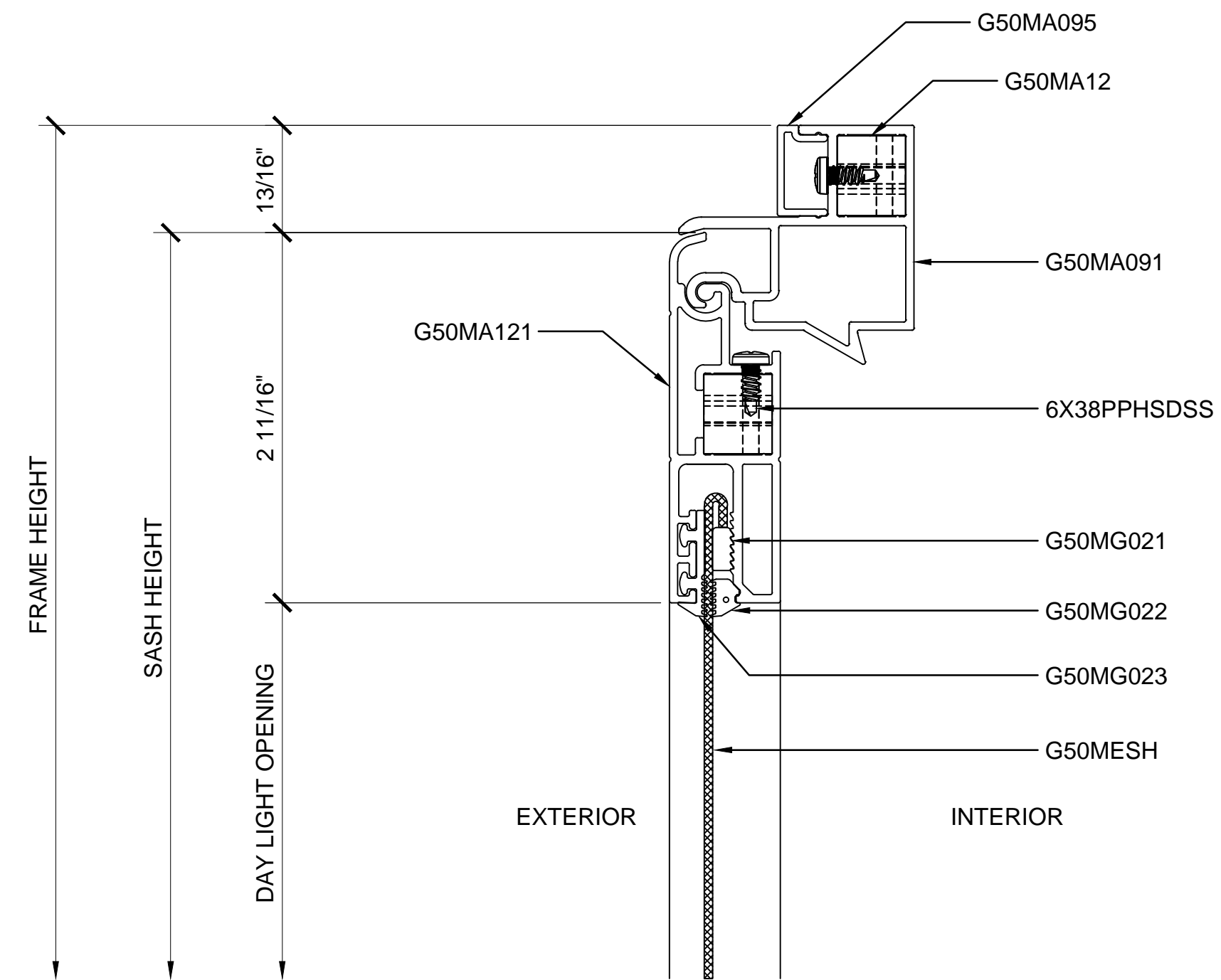
1'-0"=1'-0"



② SECTION DETAIL AT JAMB

ARCH REF: N/A

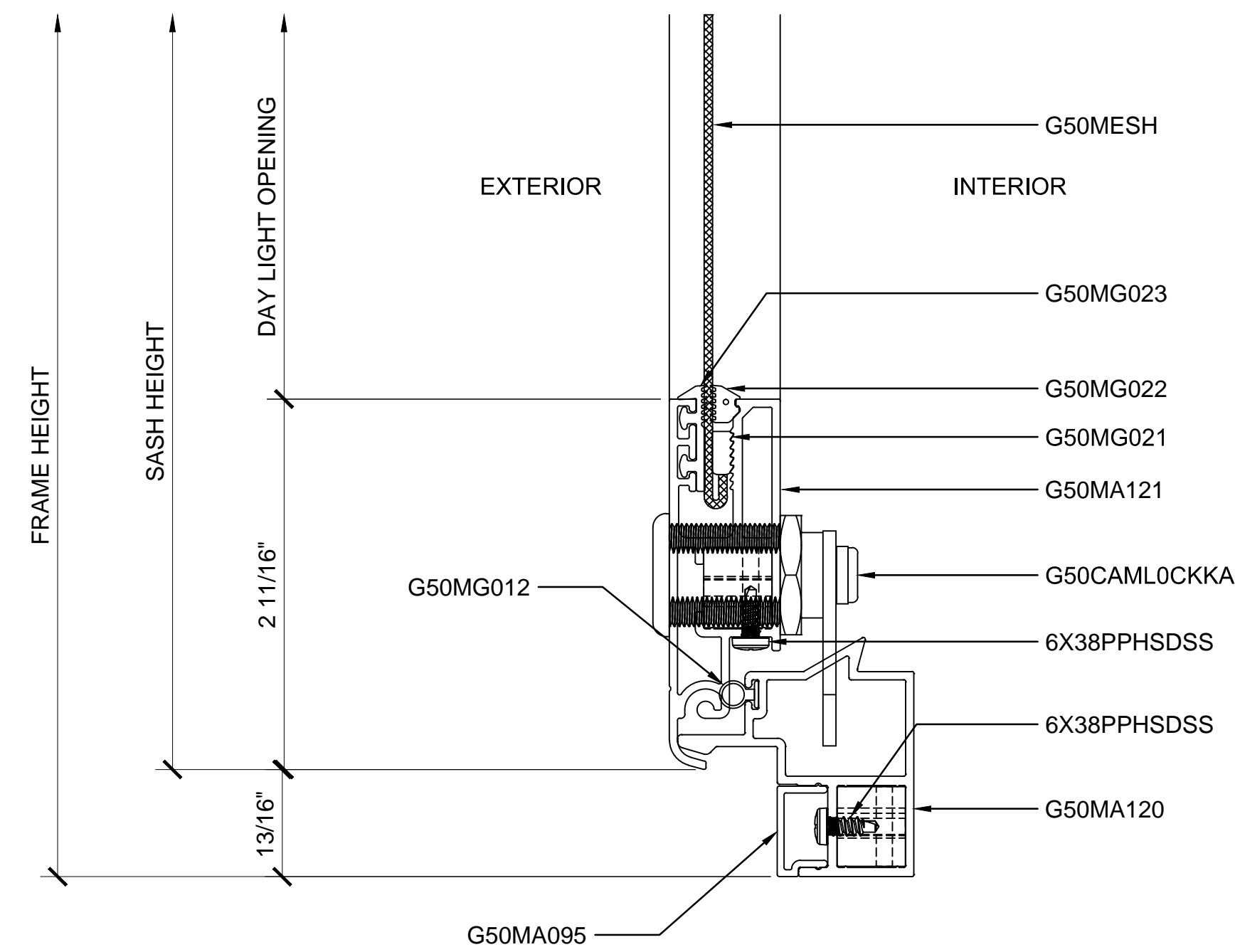
1'-0"=1'-0"



① SECTION DETAIL AT HEAD

ARCH REF: N/A

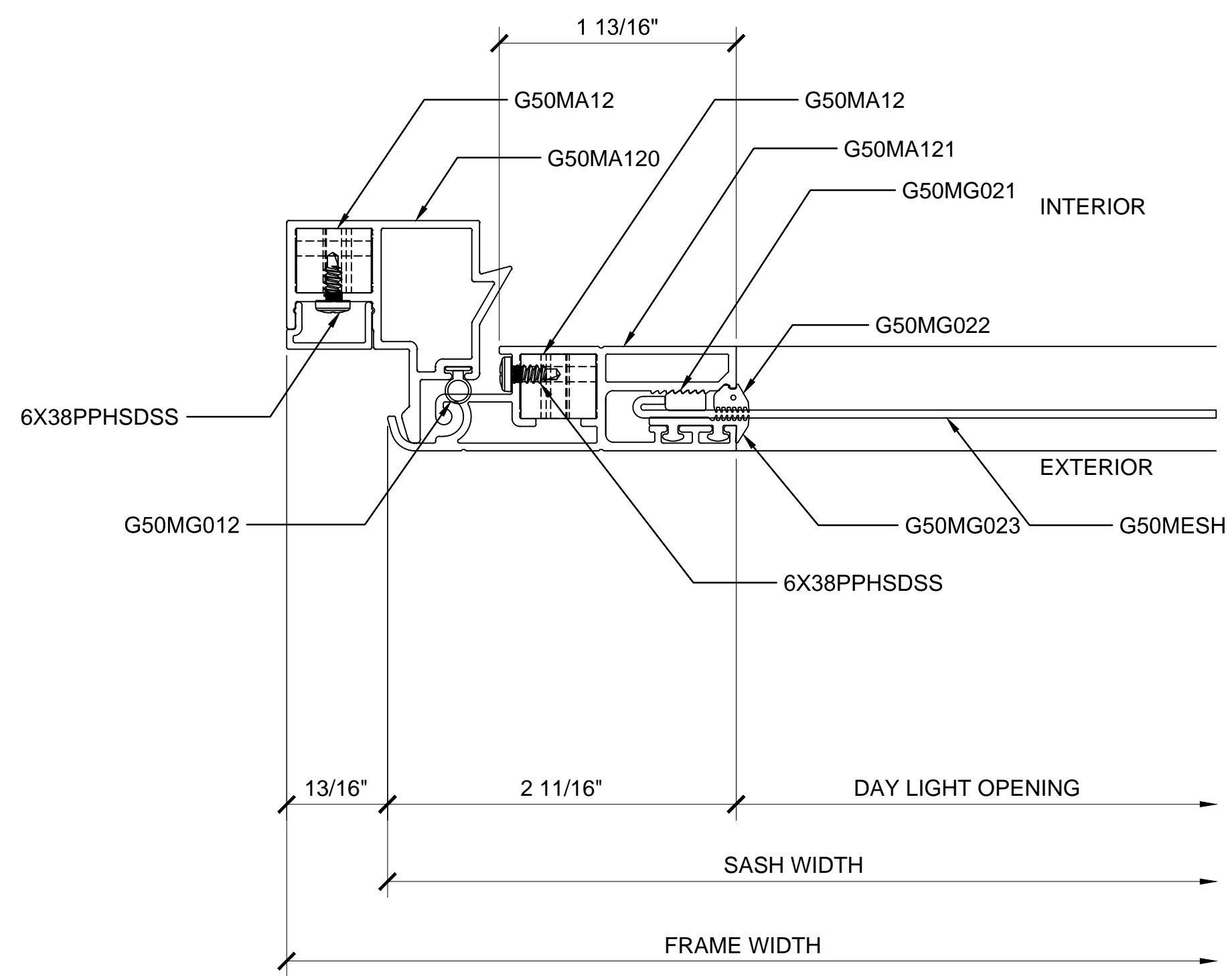
1'-0"=1'-0"



② SECTION DETAIL AT SILL

ARCH REF: N/A

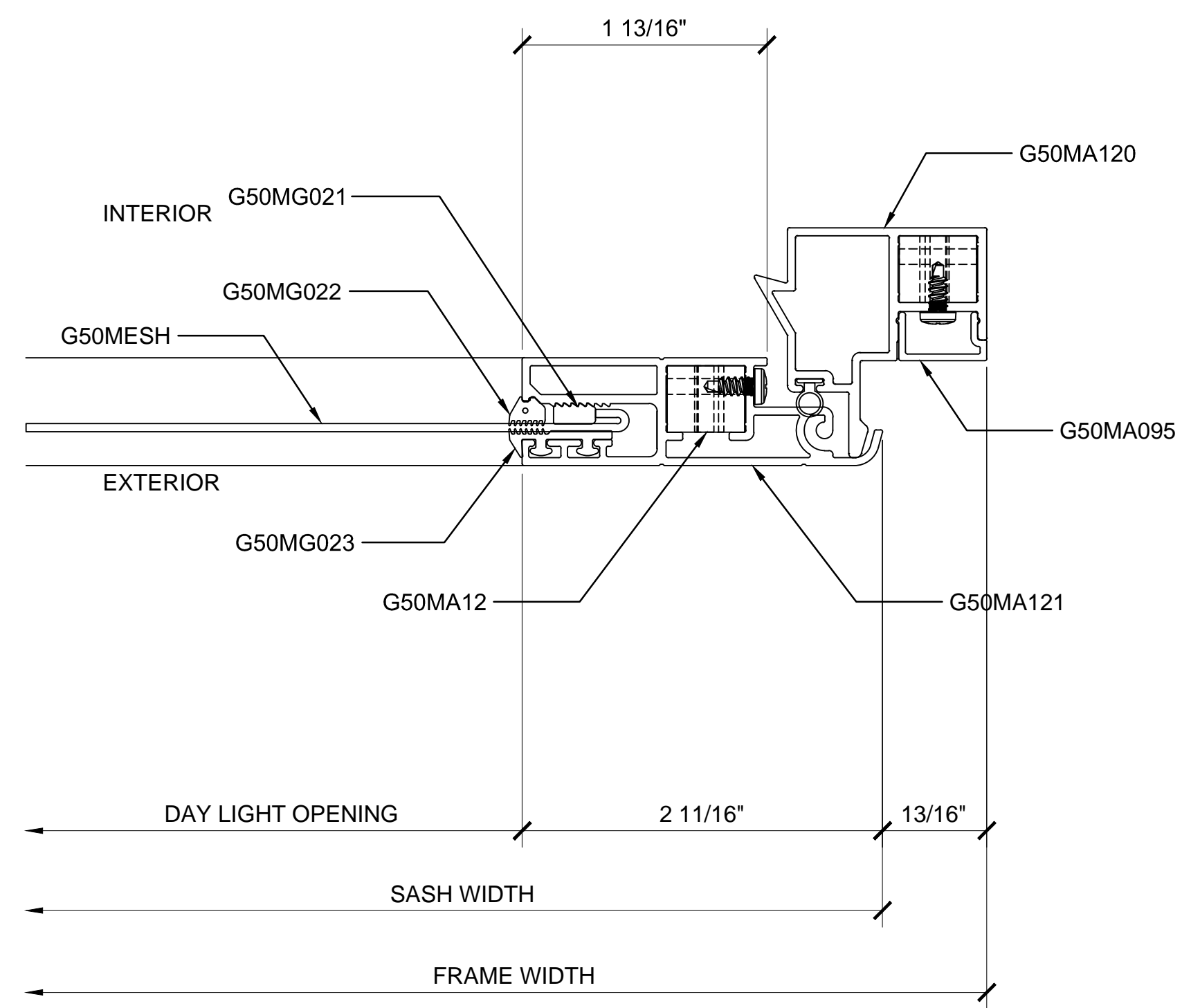
1'-0"=1'-0"



① SECTION DETAIL AT JAMB

ARCH REF: N/A

1'-0"=1'-0"



② SECTION DETAIL AT JAMB

ARCH REF: N/A

1'-0"=1'-0"