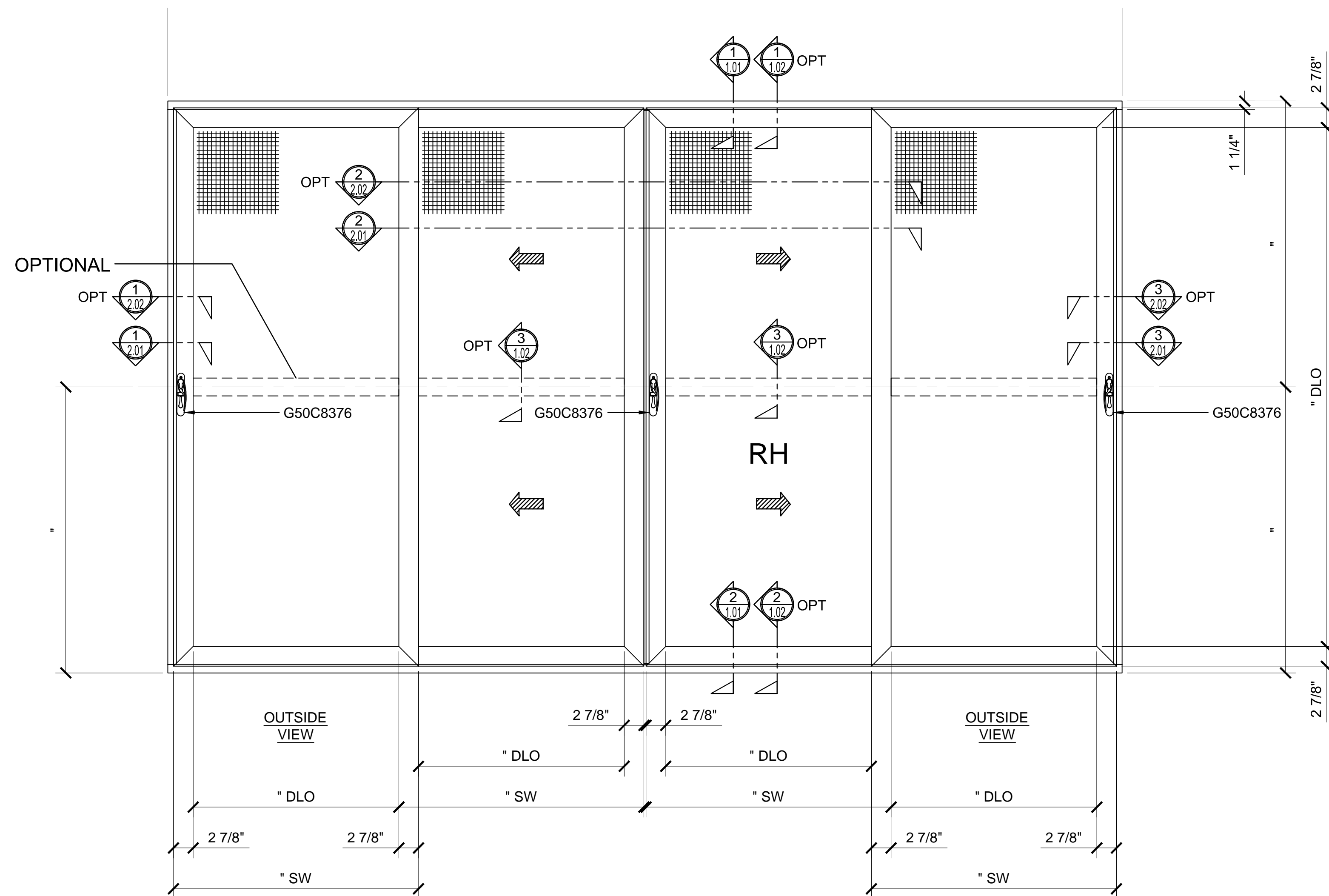


VISTA SECURITY SCREEN SLIMLINE SERIES PROTECTIVE SECURITY DOOR

CUSTOM DOOR (HEIGHT) GUIDELINES:  
 SLIMLINE SLIDING QUAD DOORS DOUBLE TRACK = 27.56" RECOMENDED MIN HEIGHT  
 SLIMLINE SLIDING QUAD DOORS DOUBLE TRACK = 124" RECOMENDED MAX HEIGHT  
 CUSTOM DOOR (WIDTH) GUIDELINES:  
 SLIMLINE SLIDING QUAD DOORS DOUBLE TRACK = 11.81" RECOMENDED MIN WIDTH  
 SLIMLINE SLIDING QUAD DOORS DOUBLE TRACK = 60" RECOMENDED MAX WIDTH

OPTIONS:  
 DOOR HANDLE AT 44" - TYPICAL (< 44" WILL BE CHARGED EXTRA)  
 MID-RAIL OPTIONS - VERTICAL AND HORIZONTAL (DETAIL 3/1.01)

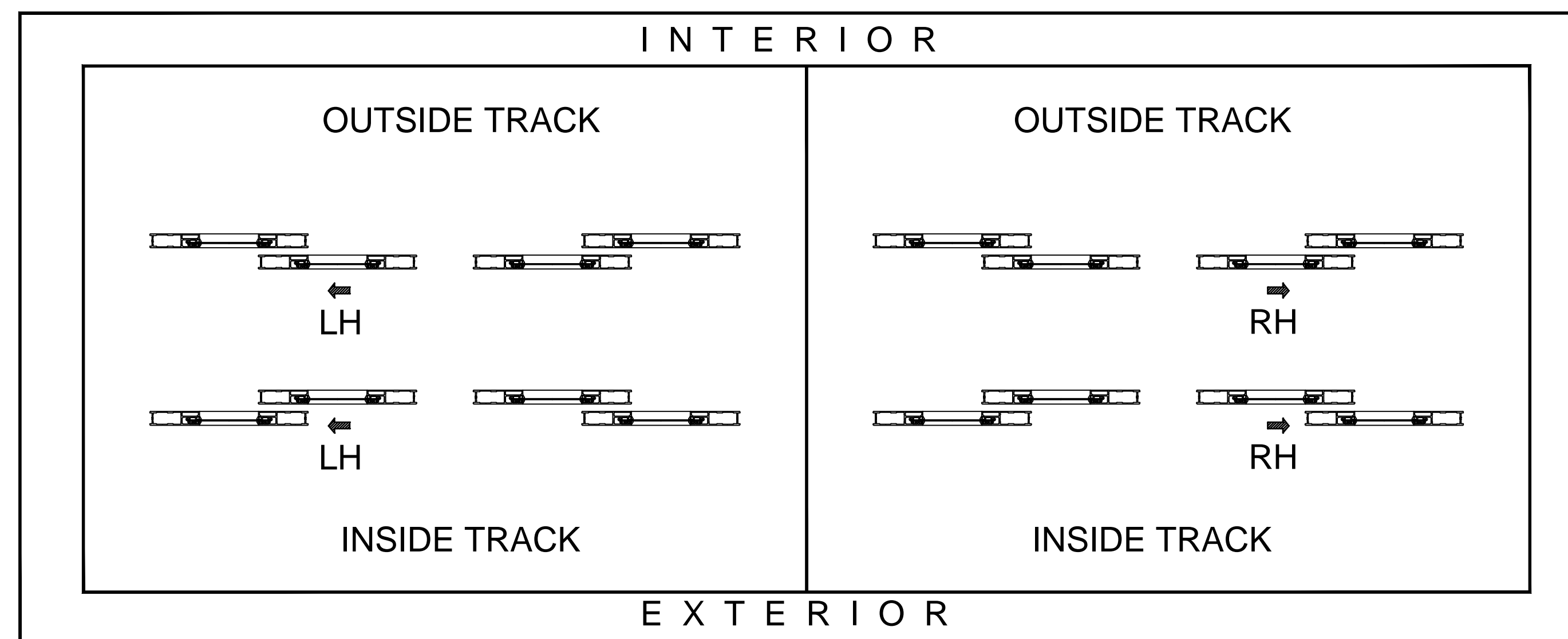
- COLOR OPTIONS:
- WHITE
  - BLACK
  - BROWN
  - SAHARA BROWN
  - LIGHT GRAY
  - SILVER
  - ALMOND
  - BRONZE
  - SAHARA GRAY
  - CUSTOM



**STRUCTURAL DISCLAIMER:**  
 ALL CUSTOMERS WHO IN ANY WAY UTILIZE THIS PRODUCT ARE SOLELY RESPONSIBLE TO CONSULT A STRUCTURAL ENGINEER TO DETERMINE THE SUITABILITY OF THE PRODUCT FOR THE INTENDED USE AND SITE CONDITIONS. ALL INSTALLERS MUST BE QUALIFIED AND HAVE PROFESSIONAL KNOWLEDGE ABOUT COMPLIANCE WITH LOCAL, STATE AND FEDERAL REGULATIONS, SAFETY FACTORS, AND THE APPROPRIATE CHOICE OF FIXING MATERIAL AND PROCEDURES.

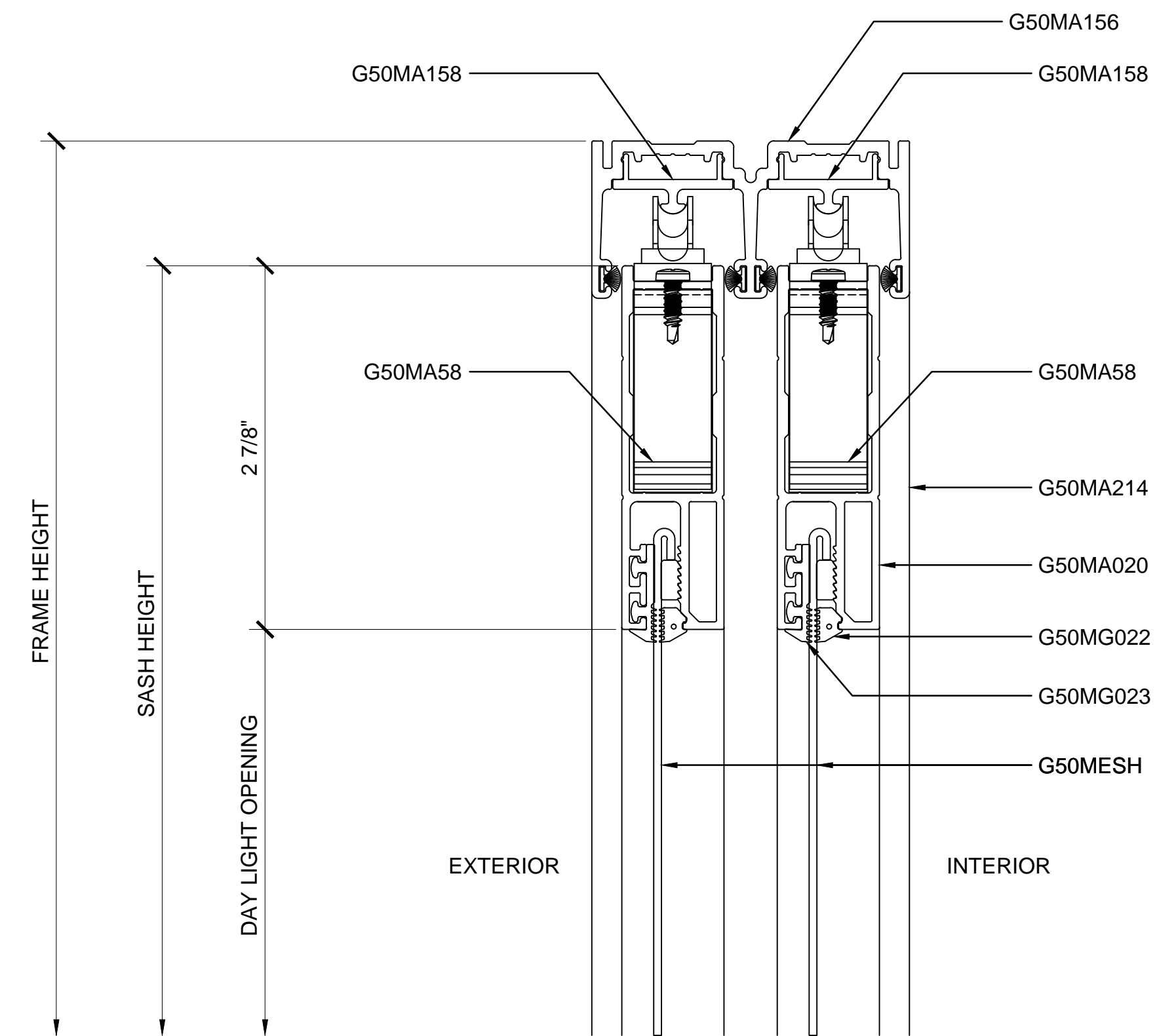
SLIMLINE QUAD SLIDING DOOR DOUBLE TRACK

SLIDE DOOR CHART

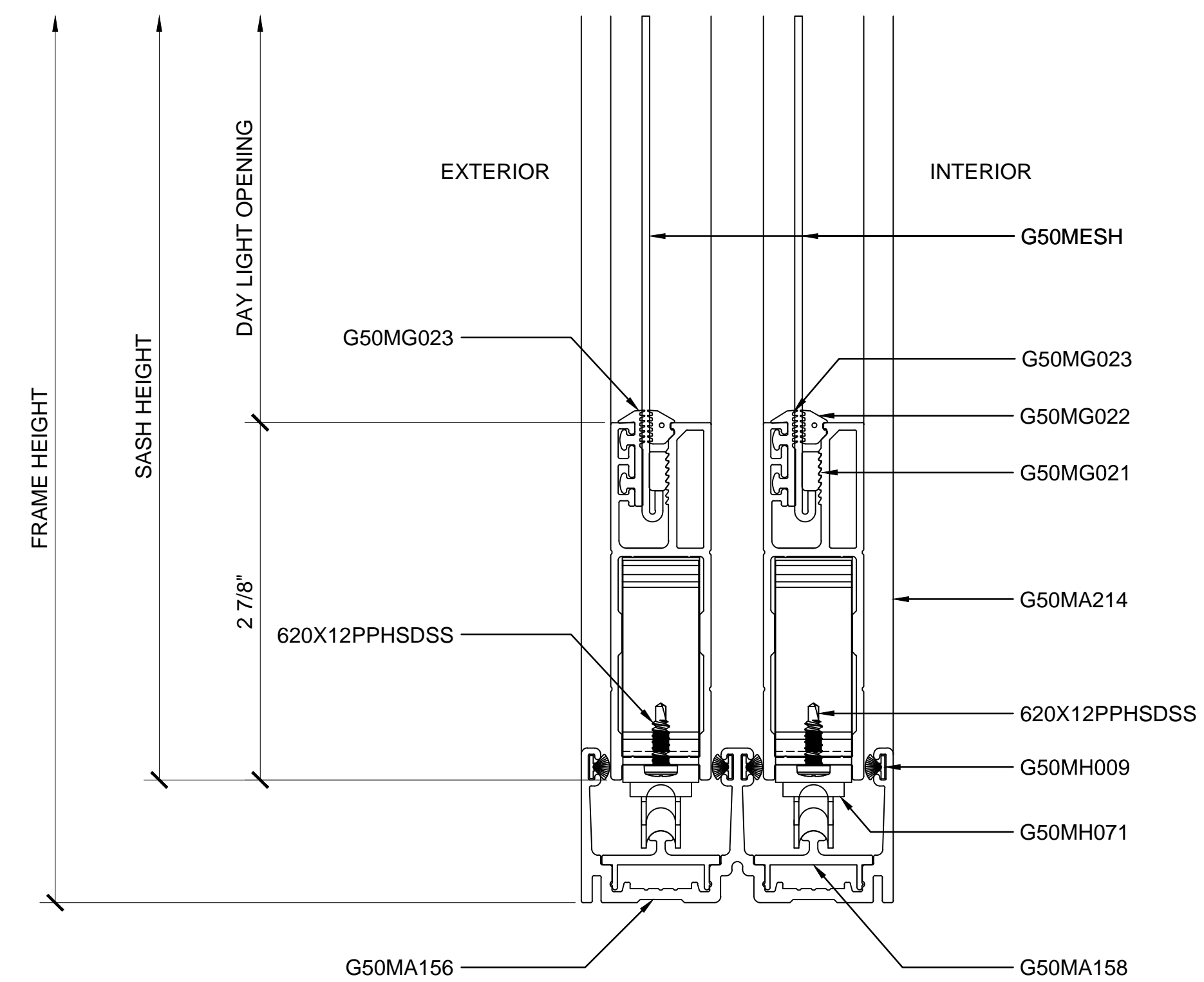


"INDUSTRY STANDARD" DOOR STYLES AND SLIDING DOOR PATTERNS

THERE ARE THREE BASIC DOOR STYLES TYPICALLY REFERRED TO THROUGHOUT THE INDUSTRY APPLICABLE TO THE VISTA SECURITY SCREEN PROTECTIVE SECURITY SCREEN DOOR SYSTEMS. BY IDENTIFYING YOUR BASIC DOOR STYLE AND SWING, IT WILL HELP MAKE CLEAR WHAT YOUR INTENTIONS ARE FOR THE PARTICULAR PROJECT. FOR MORE INFORMATION PLEASE CONTACT US AT (310) 886-1756 OR FAX US AT (310) 327-1180.

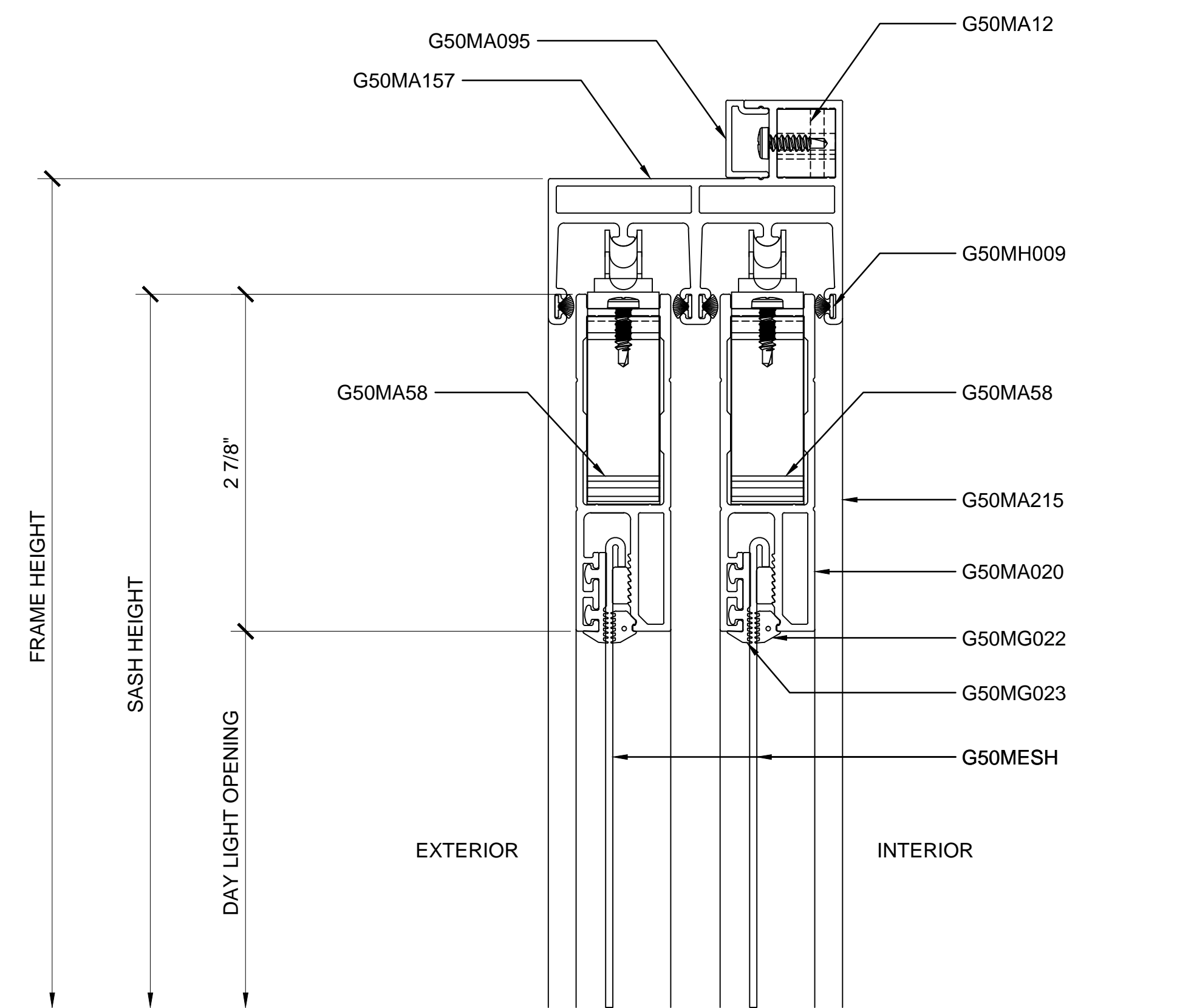


① SECTION DETAIL AT HEAD  
 ARCH REF: N/A 1'-0"=1'-0"

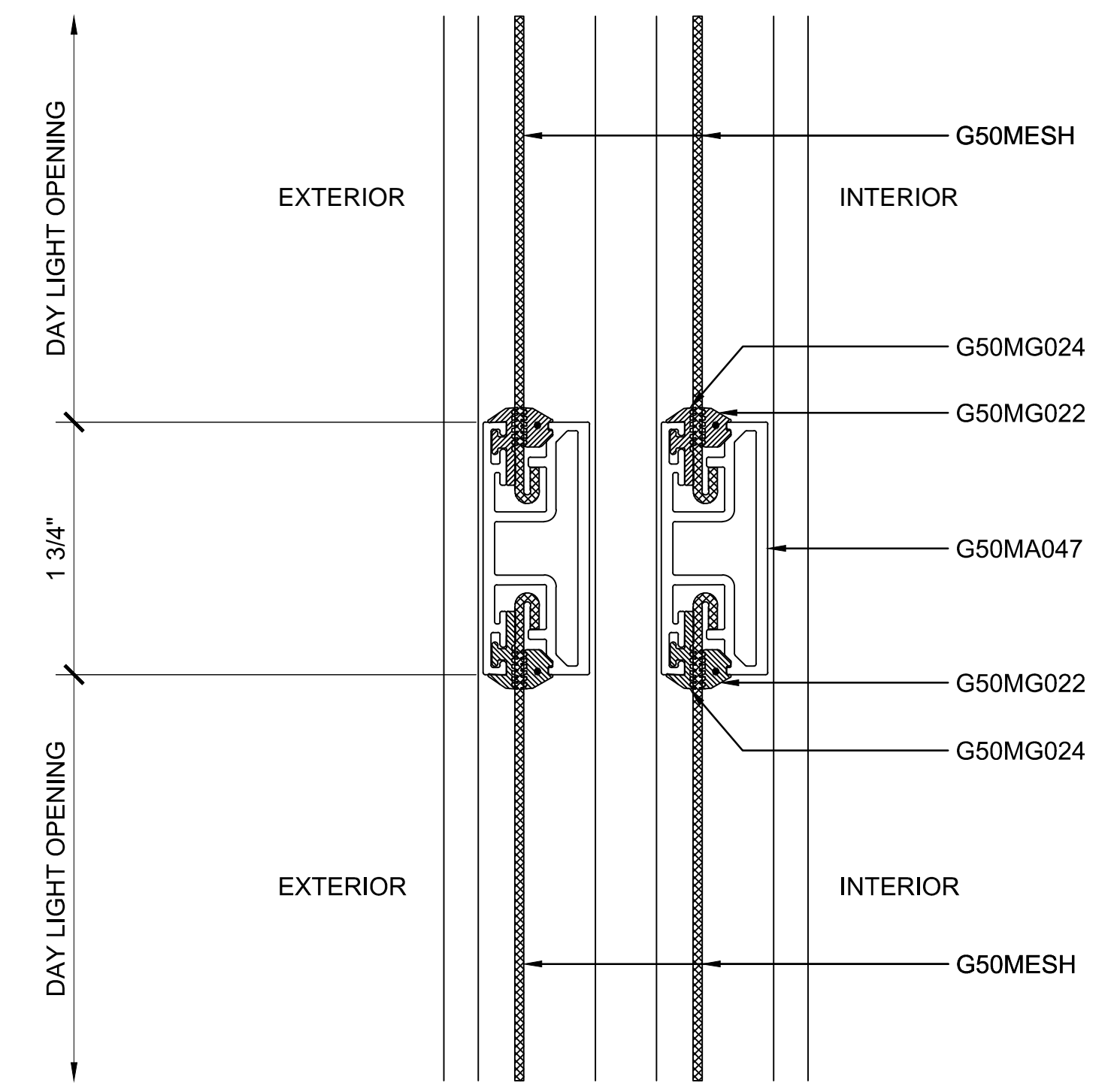


② SECTION DETAIL AT SILL  
 ARCH REF: N/A 1'-0"=1'-0"

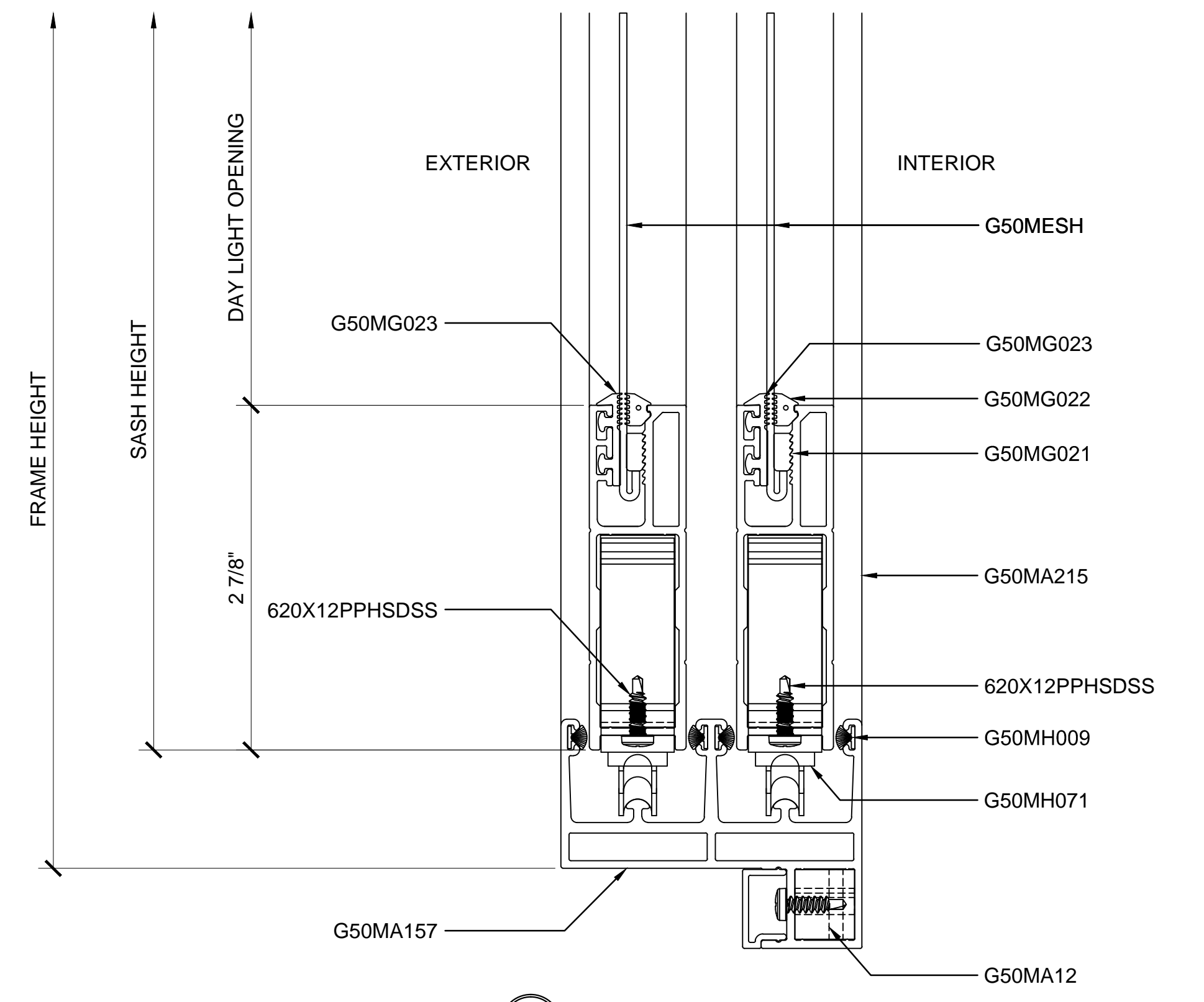
**SLIMLINE QUAD SLIDING DOOR DOUBLE TRACK DETAILS**



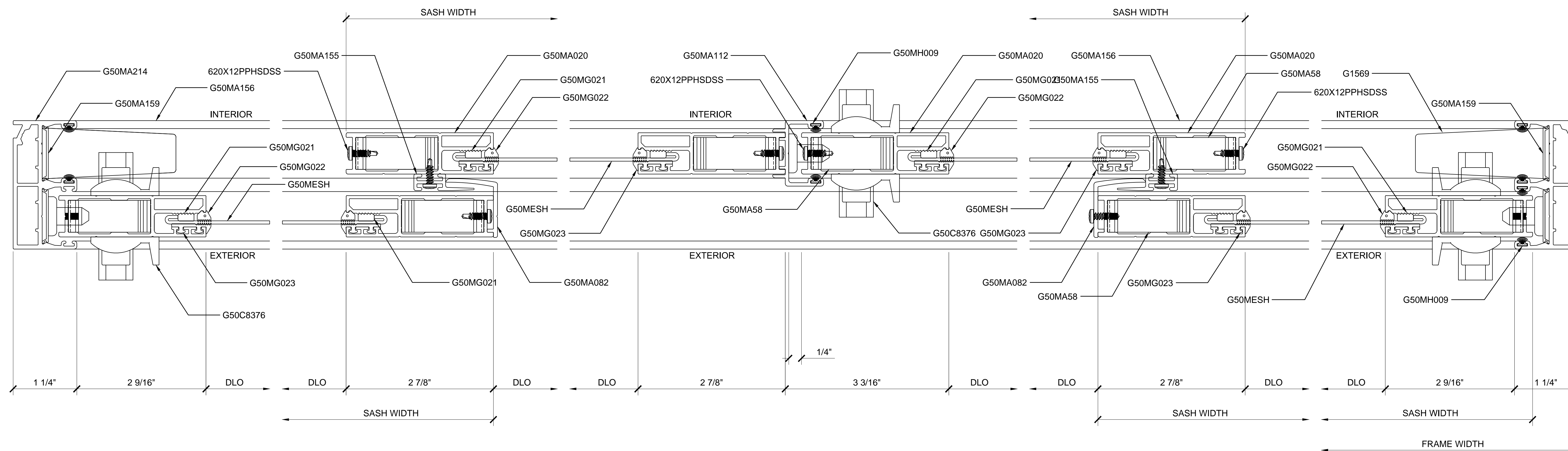
**① SECTION DETAIL AT HEAD**  
 ARCH REF: N/A 1'-0"=1'-0"



**③ SECTION DETAIL AT MIDRAIL - OPTIONAL**  
 ARCH REF: N/A 1'-0"=1'-0"



**② SECTION DETAIL AT SILL**  
 ARCH REF: N/A 1'-0"=1'-0"



① SECTION DETAIL AT JAMB

ARCH REF: N/A

1'-0"=1'-0"

② SECTION DETAIL AT DOUBLE DOOR

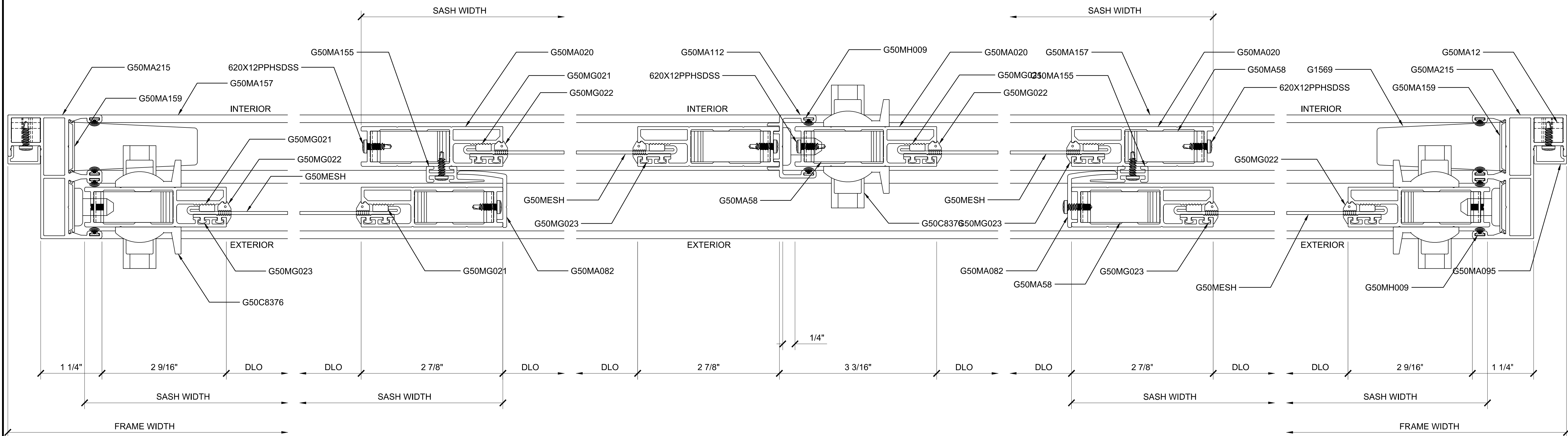
ARCH REF: N/A

1'-0"=1'-0"

③ SECTION DETAIL AT JAMB

ARCH REF: N/A

1'-0"=1'-0"



① SECTION DETAIL AT JAMB

ARCH REF: N/A 1'-0"=1'-0"

② SECTION DETAIL AT DOUBLE DOOR

ARCH REF: N/A 1'-0"=1'-0"

③ SECTION DETAIL AT JAMB

ARCH REF: N/A 1'-0"=1'-0"